



Cetronic Power Solutions Ltd

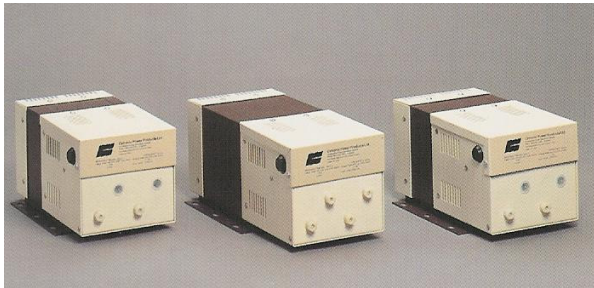
Unit 5, Optima Business Park,
Pindar Road, Hoddesdon, Herts.
EN11 0DY, United Kingdom
Tel: +44 (0)1920 871077
Fax: +44 (0)1920 871337
E-mail: sales@cetronicpower.com

ISO 9001 CERTIFIED ORGANIZATION



Constant Voltage Transformers **(CVT)**

250VA – 45kVA



- **Stable Output Voltage**
- **Very Fast Correction Time**
- **Transient/Spike Suppression**
- **Sinusoidal Output Waveform**
- **Galvanic Isolation**
- **Reduces Mains Harmonic Distortion**
- **Rugged and Robust (High MTBF)**
- **110/240/415V Models in Stock**
- **Automatic overload current limiting**
- **Accepts up to 30% input voltage swing**
- **R.F filtering**
- **Ferro-resonant principle**
- **Low installation and running costs**
- **Easy to install**

The main feature of all **Constant Voltage Transformers (CVT)** models is the ferro-resonant principle of operation, proven now to be the only effective way to cure the problems of mains interference and irregular voltage.

A **CVT** incorporates an isolation transformer, mains harmonic filter, an RF filter and an automatic voltage regulator all in one and offers the following benefits:

- **Transient Suppression**
- **Mains Distortion Removal**
- **Micro Interruption Protection**
- **Voltage Stabilisation**
- **Automatic Overload Protection**
- **No More 'Clean Line' Cost**

Specifications

Stock Items

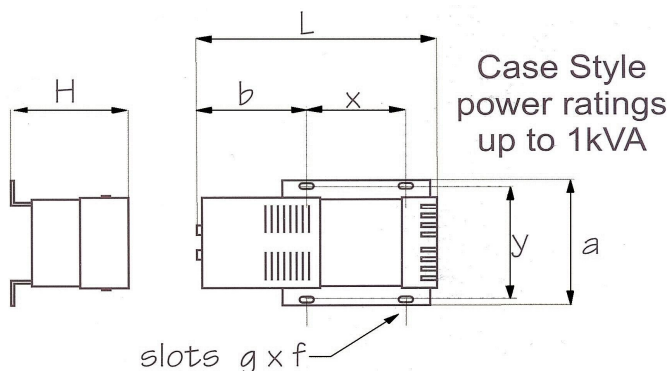
50Hz

Model	Power	Input (V)		Output (V)			Dimensions (mm)						Weight (kg)	
		88-127	192-264	110	220	240	L	H	a	b	x	y		g x f
250i	250VA	•	•	•	•	•	240	135	215	59	143	195	9 x 18	7.2
500i	500VA	•	•	•	•	•	275	135	215	94	143	195	9 x 18	12.3
1000i	1kVA	•	•	•	•	•	345	135	215	164	143	195	9 x 18	22.0
1500i	1.5kVA	•	•	•	•	•	412	245	200	155	148	180	11 x 22	38.5
2000i	2kVA	•	•	•	•	•	412	245	200	155	148	180	11 x 22	38.5

Model	Power	Input (V)	Output (V)			Dimensions (mm)						Weight (kg)	
		340-460	110	220	240	L	H	a	b	x	y		g x f
500 s400	500VA	•	•	•	•	275	135	215	94	143	195	9 x 18	12.3
1000 s400	1kVA	•	•	•	•	345	135	215	164	143	195	9 x 18	22.0

60Hz

Model	Power	Input (V)		Output (V)		Dimensions (mm)						Weight (kg)	
		88-127	192-264	110	220	L	H	a	b	x	y		g x f
500 s60	500VA	•	•	•	•	275	135	215	94	143	195	9 x 18	12.3
1000 s60	1kVA	•	•	•	•	345	135	215	164	143	195	9 x 18	22.0



Output Voltage Regulation	±2% at nominal linear load (unity power factor)
Automatic current limiting:	approx. 200% full load
Output waveform distortion (THD):	≤3% rated load
Effects of mains frequency on output voltage:	$\frac{\Delta V}{V} \approx 1.6 \frac{\Delta F}{F}$
Filtering/noise rejection:	60dB (1000:1)
Construction:	monobloc
Ambient temperature range:	-10°C +40°C

Larger models are available to order.

Power Rating	Dimensions h x w x d (mm)	Weight
3kVA	455 x 405 x 637	89kg
4kVA	455 x 405 x 637	100kg
5kVA	610 x 405 x 637	132.5kg
7kVA	610 x 405 x 637	168kg
8kVA	765 x 405 x 637	194kg
10kVA	765 x 405 x 637	202kg
12.5kVA	920 x 405 x 637	243kg
15kVA	920 x 405 x 637	268kg

The customer to specify:

- Input voltage
- Output voltage
- Operating frequency

Delivery time is generally two weeks.